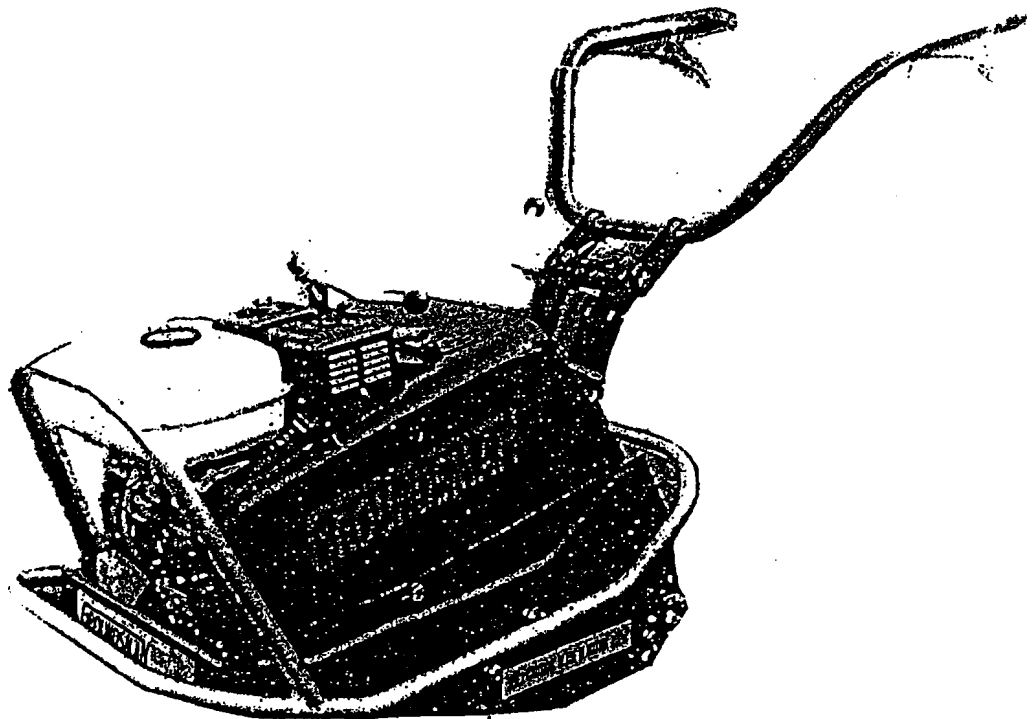


OM2003 26/06/03

PEDESTRIAN OPERATED TURF CUTTER

MODEL TC300

PARTS MANUAL



GROUNDSMAN INDUSTRIES LTD.

30 BALLYBRAKES ROAD,
BALLYMONEY, CO. ANTRIM,
N. IRELAND. BT53 6LG

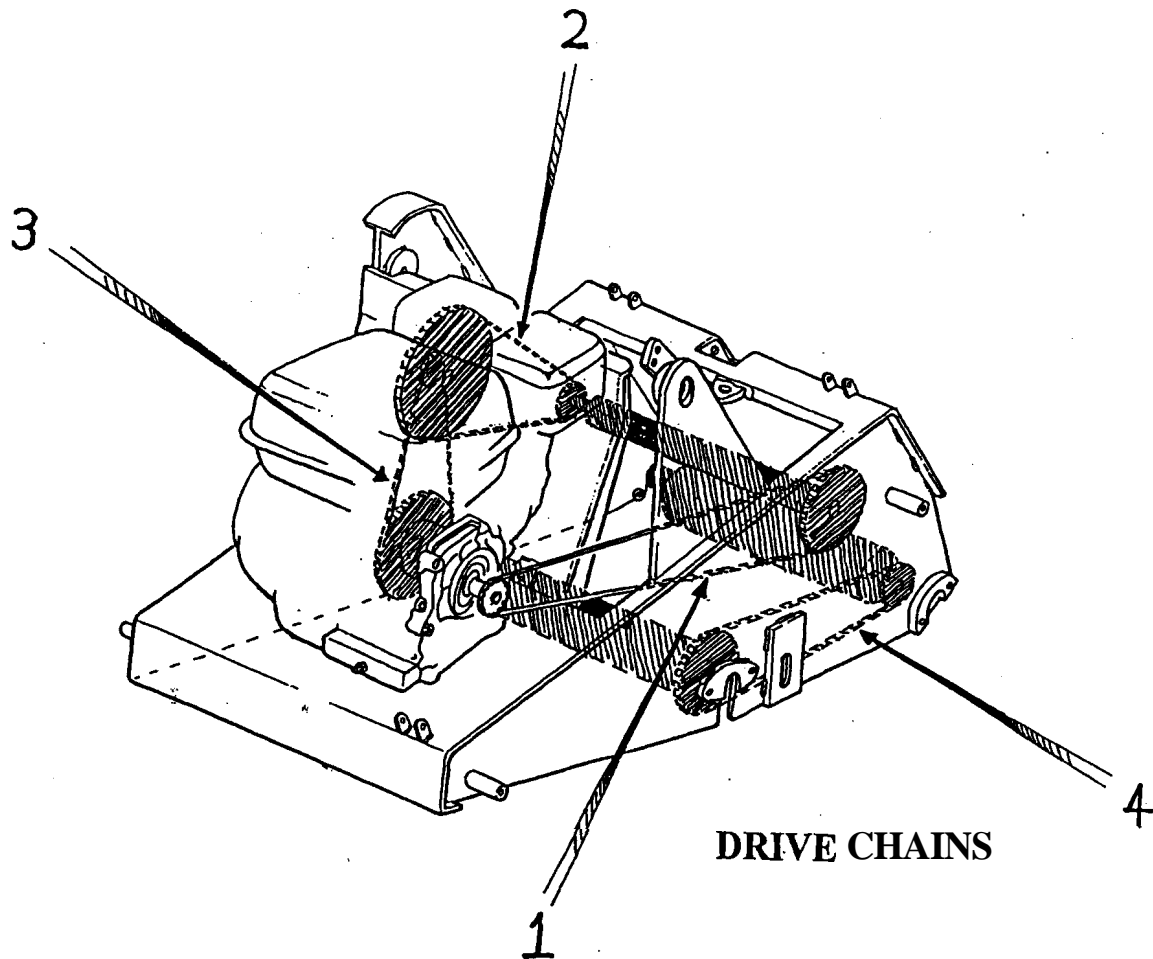
TEL: 028 2766 7049 FAX: 028 2766 6855

Email: bwarke@groundsmanindustries.co.uk **Web Site:** www.groundsmanindustries.co.uk

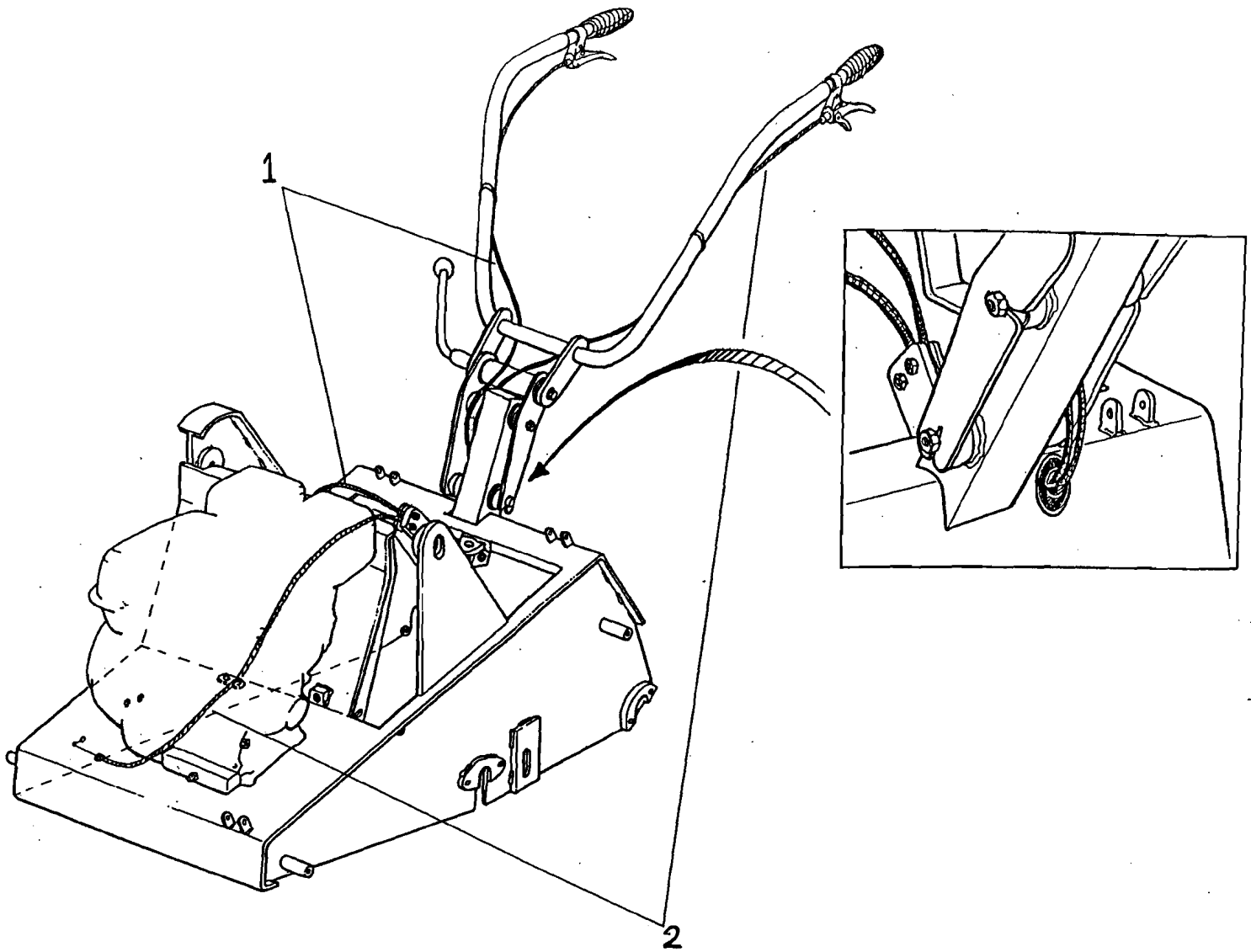
Leading the field in turf cutting technology

INDEX

<u>CONTENTS</u>	<u>PAGE</u>
INDEX	1
DRIVE CHAINS	2
THROTTLE & CLUTCH CABLES	3
OPERATOR HANDLE ASSEMBLY	4
BLADE MECHANISM ASSEMBLY	5
ROLLER DRIVE SPROCKET	6
COMPOUND SPROCKET	7
REAR ROLLER	8
MAIN CRANK SHAFT ASSEMBLY	9
DRIVE WHEEL ASSEMBLY	10
CHASSIS & COMPONENTS	11 & 12

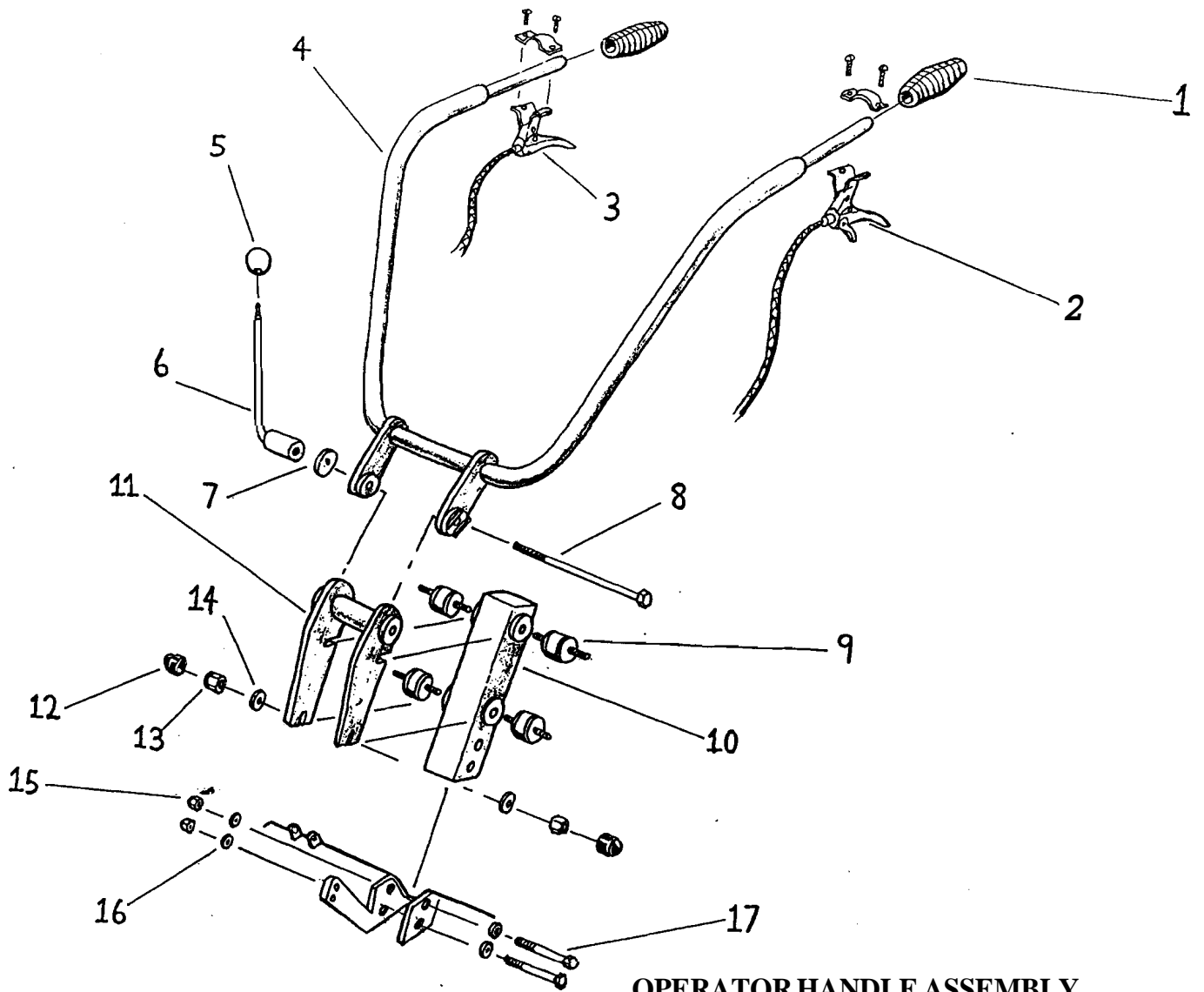


ITEM	QNT	DESCRIPTION	PART NO.	RETAIL COST
1	1	Main Drive Chain	CHATC3PC001	£
2	1	Compound Drive Chain	CHATC3PC002	£
3	1	Wheel Drive Chain	CHATC3PC003	£
4	1	Roller Drive Chain	CHATC3PC004	£



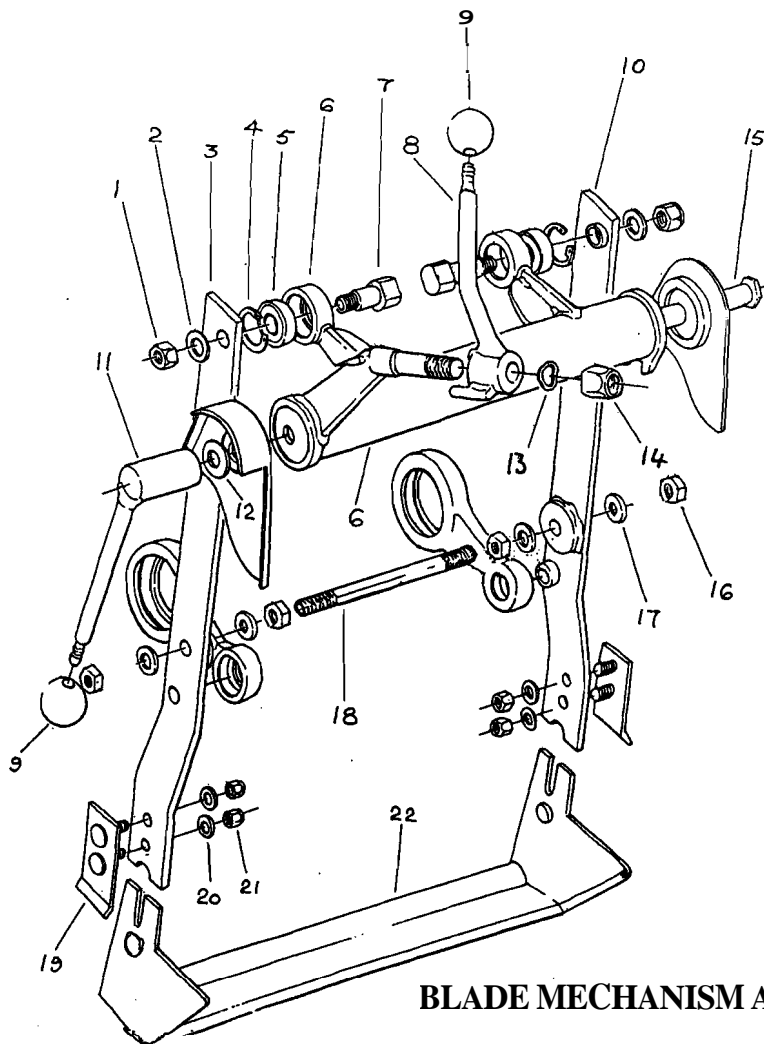
THROTTLE & CLUTCH CABLES

ITEM	QNT	DESCRIPTION	PART NO.	RETAIL COST
1	1	Throttle Cable	CABTC3PC001	£
2	1	Clutch Cable	CABTC3PC002	£
3	1	Clutch	CLUTC3PC003	E



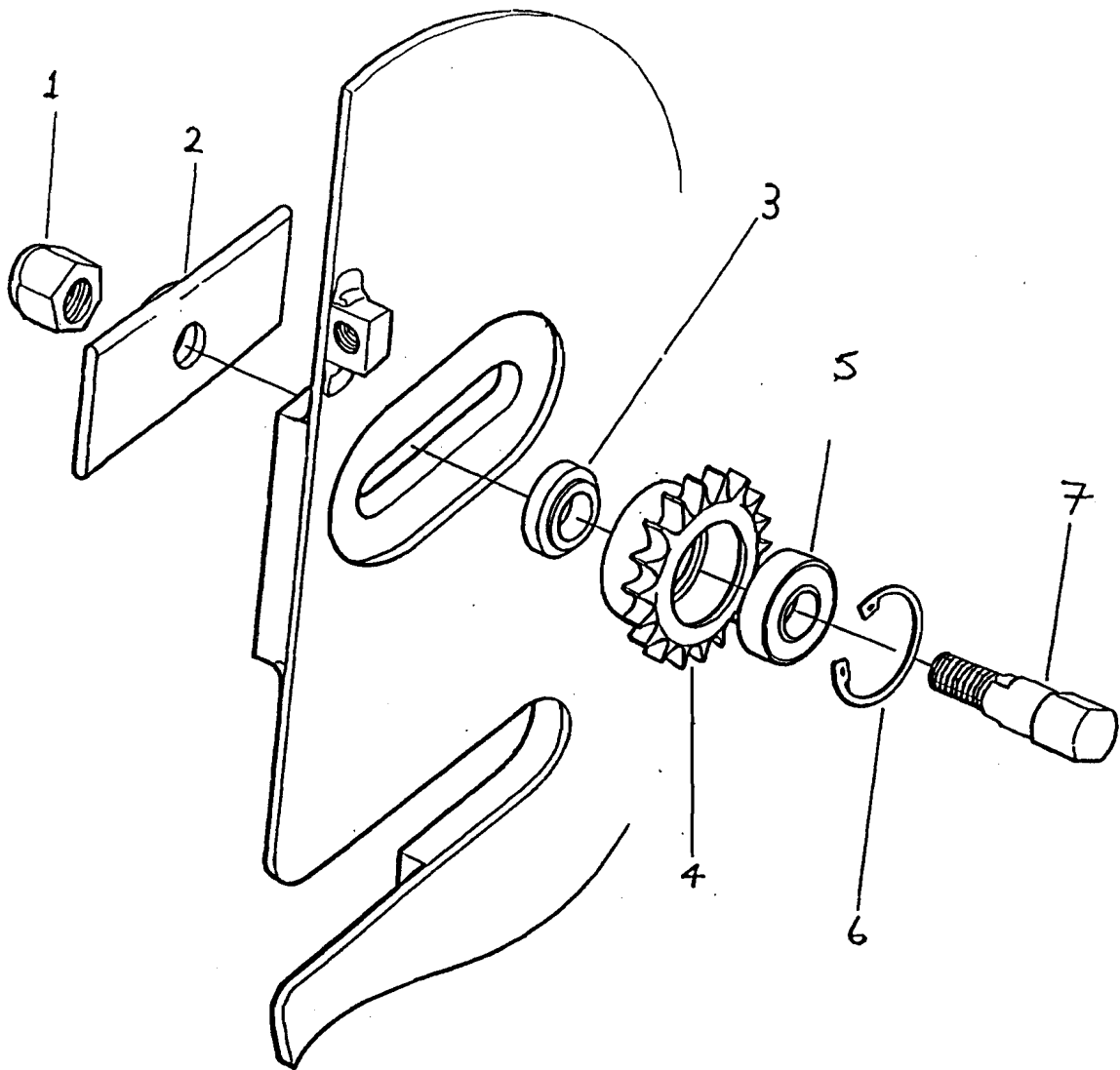
OPERATOR HANDLE ASSEMBLY

ITEM	QNT	DESCRIPTION	PART NO.	RETAIL COST
1	2	Handle Grip	GRITC3PC001	£
2	1	Clutch Lever	LEVTC3PC001	£
3	1	Throttle Lever	LEVTC3PC002	£
4	1	Operator Handles	HANTC3GM001	£
5	1	Hand Lever Ball	BLATC3PC001	£
6	1	Handle Clamp Lever	LEVTC3GM006	£
7	1	Clamp Lever Washer	WASTC3SM001	£
8	1	Clamp Lever Draw-Bolt	BOLTC3PC002	£
9	4	Handle Column Rubber Mount	MOUTC3PC001	E
10	1	Handle Column	COLTC3GM001	E
11	1	Handle Column Bracket	BRATC3GM001	E
12	4	Column Bracket Nut Cover	COVTC3PC001	E
13	4	Column Bracket Nut	NUTTC3PC004	E
14	4	Column Bracket Washer	WASTC3PC009	E
15	2	Handle Column Nut	NUTTC3PC009	E
16	4	Handle Column washer	WASTC3PC005	E
17	2	Handle Column Bolt	BOLTC3PC013	E



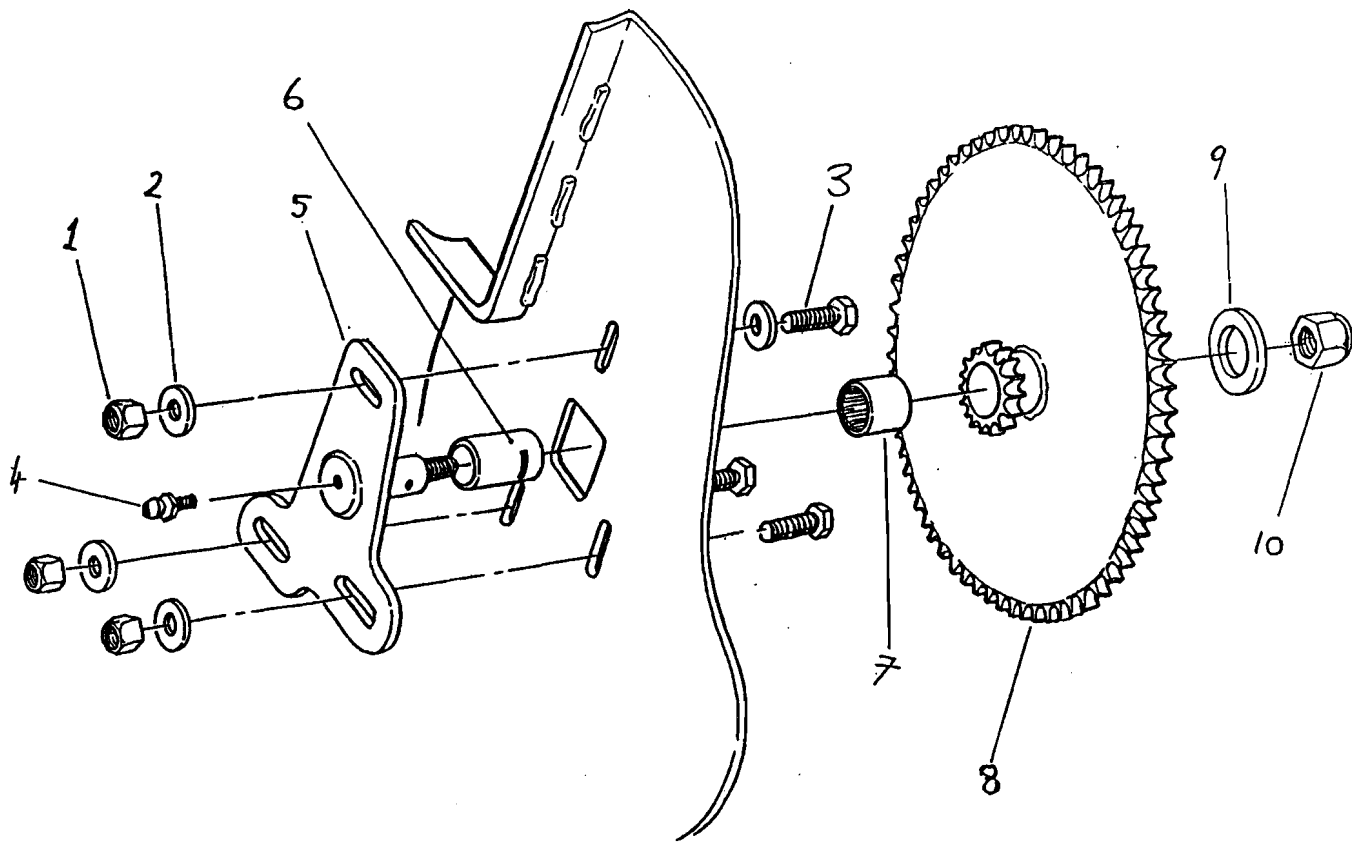
BLADE MECHANISM ASSEMBLY

ITEM	QNT	DESCRIPTION	PART NO.	RETAIL COST
1	2	Bearing-Pin Nut	NUTTC3PC008	£
2	2	Bearing-Pin Washer	WASTC3PC010	£
3	1	Blade Leg Right Hand Side	LEGTC3GM001	£
4	2	Small-End Circular Clip	CLITC3PC001	£
5	2	Small-End Bearing	BEATC3PC001	£
6	1	Depth-Set Cross-Bracket	BRATC3GM002	£
7	2	Bearing Pin	PINTC3GM001	£
8	1	Depth-Set Lever	LEVTC3GM003	£
9	2	Hand Lever Ball	BALTC3PC001	£
10	1	Blade Leg Left Hand Side	LEGTC3GM002	£
11	1	Depth-Set Clamp-Lever	LEVTC3GM004	E
12	1	Depth Set Clamp-Lever Washer	WASTC3SM001	E
13	1	Depth Set Lever Spring Washer	WASTC3PC011	E
14	1	Depth Set Lever Nut	NUTTC3PC010	E
15	1	Depth Set Lever Draw-Bolt	BOLTC3GM003	E
16	2	Tie Bar Nut	NUTTC3PC001	E
17	2	Tie Bar Washer	WASTC3PC007	E
18	1	Tie Bar	BARTC3GM001	E
19	2	Blade Strap-Bolt	BOLTC3GM011	E
20	4	Blade Strap-Bolt Washer	WASTC3PC005	E
21	4	Blade Strap-Bolt Nut	NUTTC3PC008	E
22	1	Turf-Cutting Blade	BLATC3GM001	E



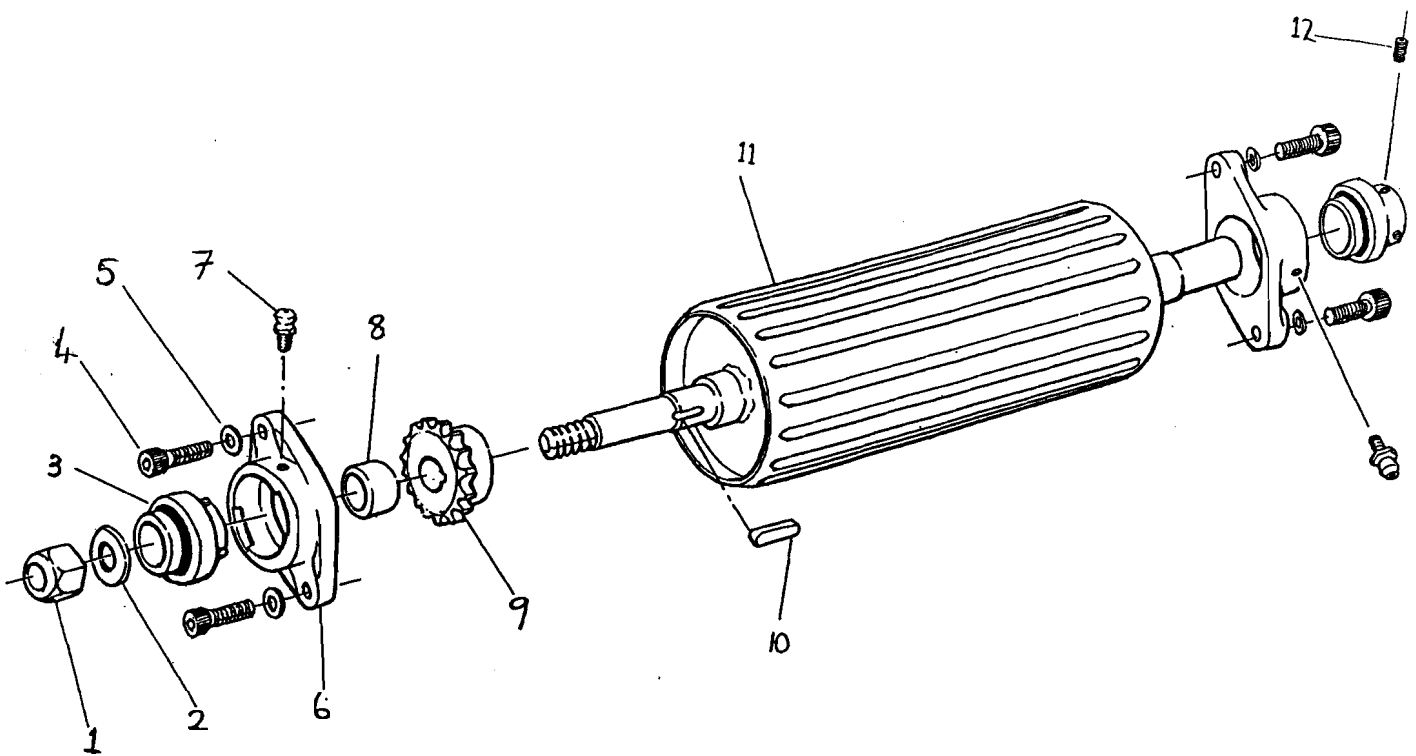
ROLLER DRIVE JOCKEY SPROCKET

ITEM	QNT	DESCRIPTION	PART NO.	RETAIL COST
1	1	Tensioner Clamp Nut	NUTTC3PC012	E
2	1	Tensioner Clamp Plate	PLATC3GM001	E
3	1	Tensioner Sprocket Spacer	SPATC3SM001	E
4	1	Chain Tensioner Sprocket	SPRTC3GM001	E
5	1	Tensioner Sprocket Bearing	BEATC3PC002	E
6	1	Sprocket Bearing Circular Clip	CLITC3PC002	E
7	1	Tensioner Sprocket Spindle	SPITC3GM001	E



COMPOUND SPROCKET

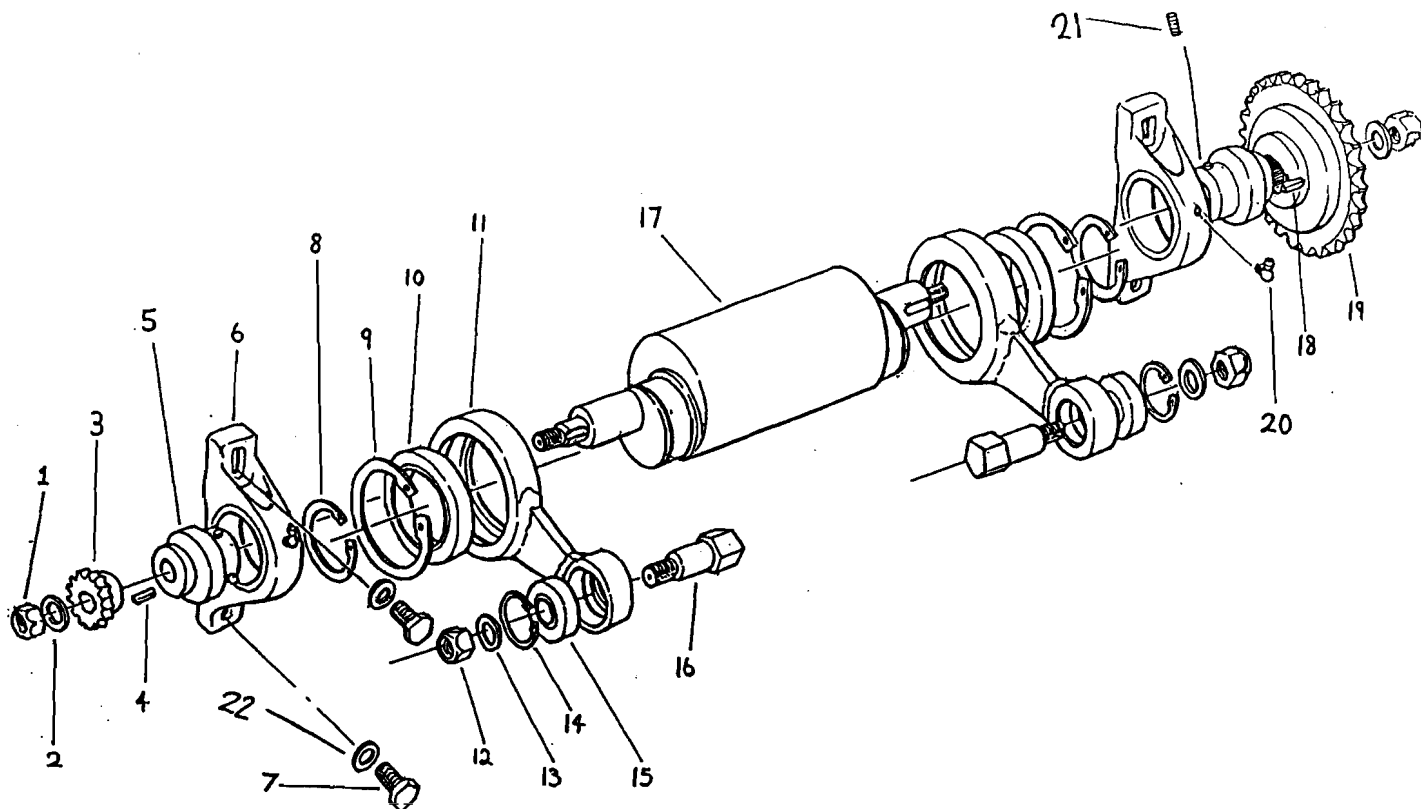
ITEM	QNT	DESCRIPTION	PART NO.	RETAIL COST
1	3	Compound Clamp-Plate Nut	NUTTC3PC007	£
2	3	Compound Clamp-Plate Washer	WASTC3PC004	£
3	3	Compound Clamp-Plate Bolt	BOLTC3PC009	£
4	1	Compound Sprocket Grease Nipple	NIPTC3PC001	£
5	1	Sprocket Spindle Plate	PLATC3GM002	£
6	1	Sprocket Bearing Inner Ring	RINTC3PC001	£
7	1	Sprocket Needle Bearing	BEATC3PC003	£
8	1	Compound Sprocket	SPRTC3GM002	£
9	1	Sprocket Spindle Washer	WASTC3PC006	£
10	1	Sprocket Spindle Nut	NUTTC3PC008	£



REAR ROLLER

ITEM	QNT	DESCRIPTION	PART NO.	RETAIL COST
1	1	Roller Spindle Nut	NUTTC3PC008	£
2	1	Roller Spindle Washer	WASTC3PC010	£
3	2	Roller Axil Bearing	BEATC3PC004	£
4	4	Roller Axil Bearing Cap Screw	SCRTC3PC001	£
5	4	Roller Axil Bearing Washer	WASTC3PC004	£
6	2	Roller Axil Bearing Housing *	HOUTC3PC001	£
7	2	Bearing Grease Nipple	NIPTC3PC002	£
8	1	Roller Sprocket Spacer	SPATC3GM002	£
9	1	Roller Sprocket	SPRTC3GM003	E
10	1	Roller Sprocket Key	KEYTC3GM001	E
11	1	Roller	ROLTC3GM001	E
12	4	Roller Bearing Grub Screw	SCRTC3PC002	E

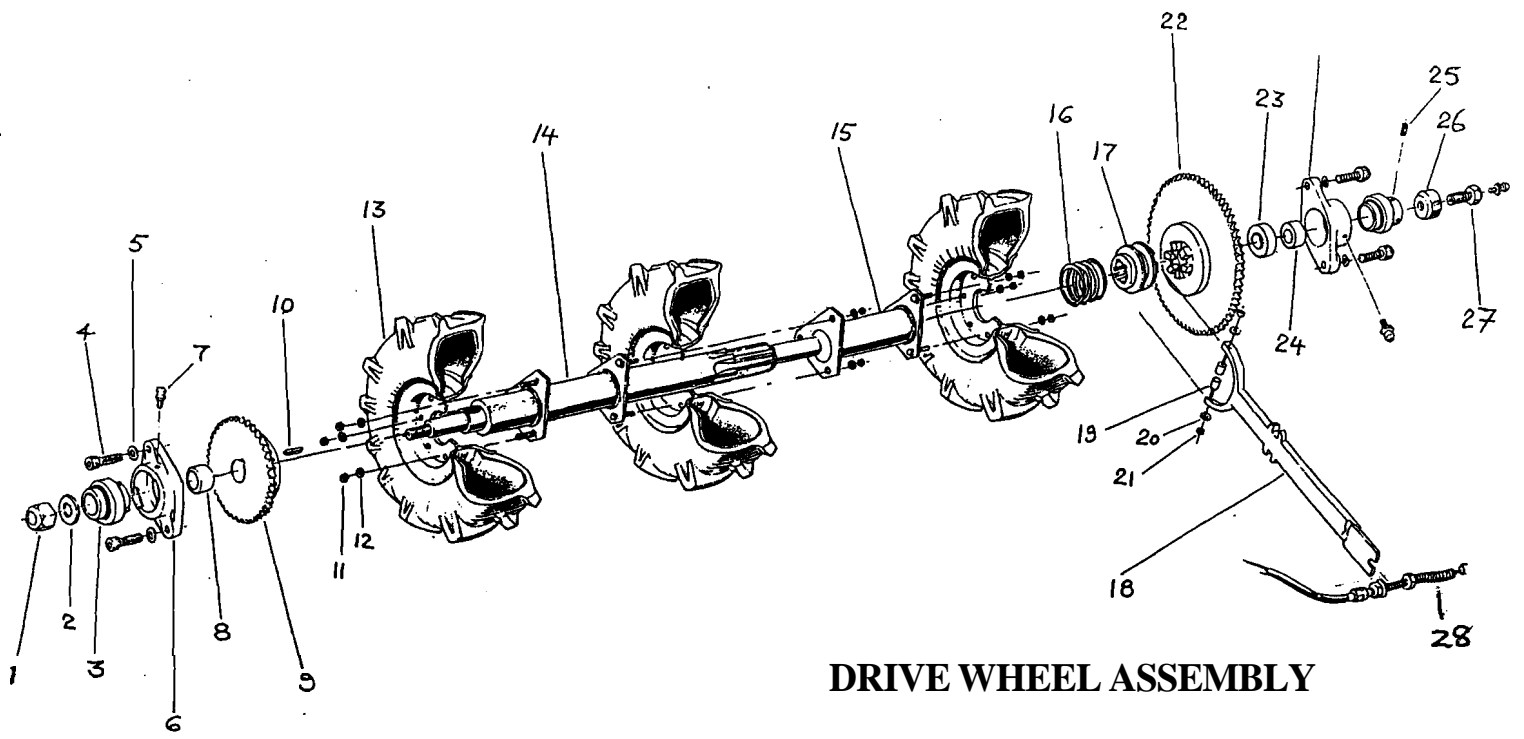
* HOUSING COMPLETE WITH BEARING



MAIN CRANK SHAFT ASSEMBLY

ITEM	QNT	DESCRIPTION	PART NO.	RETAIL COST
1	2	Crank-Shaft Nut	NUTTC3PC008	£
2	2	Crank-Nut Washer	WASTC3PC010	£
3	1	Crank Auxillary Sprocket	SPRTC3GM004	£
4	1	Auxillary Sprocket Key	KEYTC3GM002	£
5	2	Crank-Shaft Bearing	BEATC3PC005	£
6	2	Crank Shaft Bearing Housing *	HOUTC3PC002	£
7	4	Bearing Housing Bolt	BOLTC3PC012	£
8	2	Crank-Shaft Circular clip	CLITC3PC003	£
9	2	Big-End Circular Clip	CLITC3PC004	£
10	2	Big-End Bearing	BEATC3PC006	£
11	2	Connecting Rod	RODTC3GM001	£
12	2	Bearing-Pin Nut	NUTTC3PC008	£
13	2	Bearing-Pin Washer	WASTC3PC010	£
14	2	Small-End Circular Clip	CLITC3PC005	£
15	2	Small-End Bearing	BEATC3PC007	£
16	2	Bearing Pin	PINTC3GM001	£
17	1	Crank-Shaft	SHATC3GM001	£
18	1	Crank-Sprocket Key	KEYTC3GM003	£
19	1	Crank Sprocket	SPRTC3GM005	£
20	2	Crank Bearing Grease Nipple	NIPTC3PC003	£
21	4	Crank Bearing Grub-Screw	SCRTC3PC003	£
22	4	Bearing Housing Heavy Washer	WASTC3PC010	£

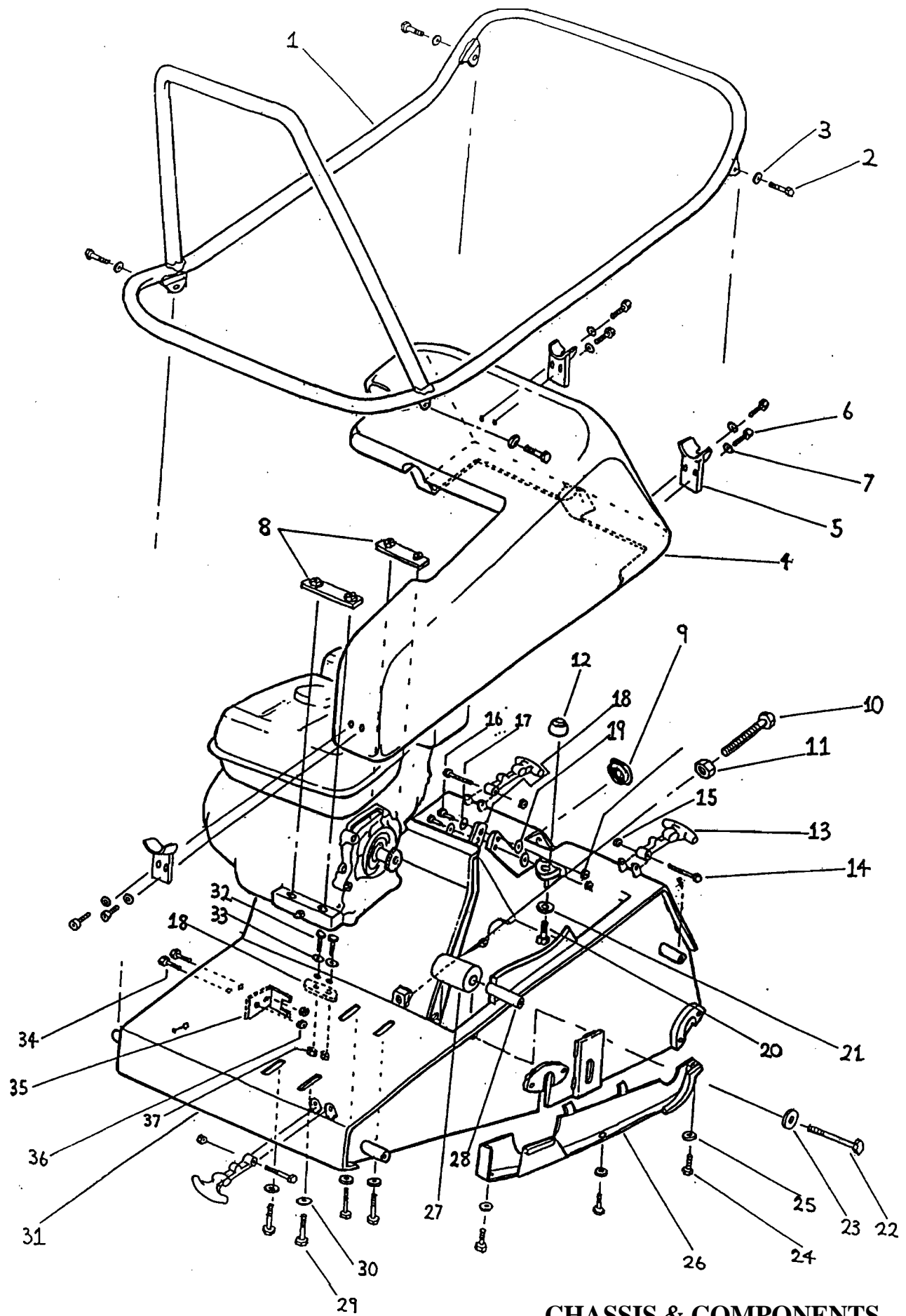
* HOUSING COMPLETE WITH BEARING



DRIVE WHEEL ASSEMBLY

ITEM	QNT	DESCRIPTION	PART NO.	RETAIL COST
1	1	Wheel Axil Nut	NUTTC3PC008	£
2	1	Wheel Axil Washer	WASTC3PC010	£
3	2	Wheel Axil Bearing	BEATC3PC008	£
4	4	Wheel Axil Bearing Cap Screw	SCRTC3PC004	£
5	4	Wheel Axil Bearing Washer	WASTC3PC004	£
6	2	Wheel Axil Bearing Housing *	HOUTC3PC003	£
7	3	Bearing Grease Nipple	NIPTC3PC004	£
8	1	Off-Side Sprocket Spacer	SPATC3GM003	£
9	1	Wheel Axil Off-Side Sprocket	SPRTC3GM006	£
10	1	Off-Side Sprocket Key	KEYTC3GM004	£
11	9	Wheel Nut	NUTTC3PC006	£
12	9	Wheel Washer	WASTC3PC002	£
13	3	Grip Tyre Wheel	WHETC3PC001	£
14	1	Wheel Axil	AXITC3GM001	£
15	1	Wheel Spacer	SPATC3GM004	£
16	1	Dog-Clutch Spring	SPRTC3PC008	£
17	1	Dog-Clutch Sleeve	SLETC3GM001	£
18	1	Dog-Clutch Lever	LEVTC3SM005	£
19	2	Dog-Clutch Lever-Pin	PINTC3GM002	£
20	2	Lever-Pin Washer	WASTC3PC002	£
21	2	Lever-Pin Nut	NUTTC3PC006	£
22	1	Dog-Clutch Sprocket	SPRTC3GM007	£
23	1	Dog-Clutch Sprocket Bearing	BEATC3PC009	£
24	1	Dog-Clutch Sprocket Spacer	SPATC3GM005	£
25	4	Axil Bearing Grub-Screw	SCRTC3PC005	£
26	1	Axil cup-Washer	WASTC3GM012	£
27	1	Wheel Axil Grease Bolt	BOLTC3PC001	£
28	1	SPRING DOG-CLUTCH LEVER	SPRTC3PC001	£

* HOUSING COMPLETE WITH BEARING



CHASSIS & COMPONENTS

ITEM	QNT	DESCRIPTION	PART NO.	RETAIL COST
1	1	Cradle Frame	FRATC3GM001	£
2	4	Cradle Bolt	BOLTC3PC006	£
3	4	Cradle Washer	WASTC3PC003	£
4	1	Top Cover	COVTC3SM001	£
5	3	Latch-Strap Bracket **	BRATC3PC003	£
6	6	Strap-Bracket Cap Screw	SCRTC3PC007	£
7	6	Strap-Bracket Washer	WASTC3PC002	£
8	2	Engine Strap-Nut	NUTTC3GM011	£
9	1	Chassis Cable-Grommet	GROTC3PC001	£
10	1	Engine Jacking Screw	SCRTC3PC006	£
11	1	Jacking-Screw Lock-Nut	NUTTC3PC005	£
12	1	Cover Location Dome	DOMTC3GM001	£
13	3	Latch Strap **	STRTC3PC001	£
14	3	Latch Strap Bolt	BOLTC3PC004	£
15	3	Latch Strap Nut	NUTTC3PC002	£
16	4	Cable-Clamp Bolt	BOLTC3PC005	£
17	4	Cable-Clamp Washer	WASTC3PC002	£
18	2	Cable Clamp-Strap	STRTC3SM002	£
19	2	Chain-Guard Bolt	BOLTC3PC014	£
20	1	Location-Dome Bolt	BOLTC3PC006	£
21	1	Location-Dome Washer	WASTC3PC008	£
22	1	Slap-Roller Bolt	BOLTC3PC010	£
23	1	Slap-Roller Washer	WASTC3PC004	£
24	1	Chain Guard Bolt	BOLTC3PC008	£
25	3	Chain Guard Washer	WASTC3PC004	£
26	1	Chain Guard	GUATC3GM001	£
27	1	Chain-Slap Roller	ROLTC3GM002	£
28	1	Slap Roller Bush	BUSTC3GM001	£
29	4	Engine Mounting Bolt	BOLTC3PC007	£
30	4	Engine Mounting Washer	WASTC3PC008	£
31	1	Chassis	CHATC3GM005	£
32	2	Fork-Bracket Bolt	BOLTC3PC005	£
33	2	Fork-Bracket Washer	WASTC3PC002	£
34	1	Clutch-Fork Bracket	BRATC3SM004	£
35	2	Fork-Bracket Nut	NUTTC3PC003	£
36	4	Cable Clamp Nut	NUTTC3PC003	£

**** LATCH & STRAP CANNOT BE BOUGHT SEPARATELY**